

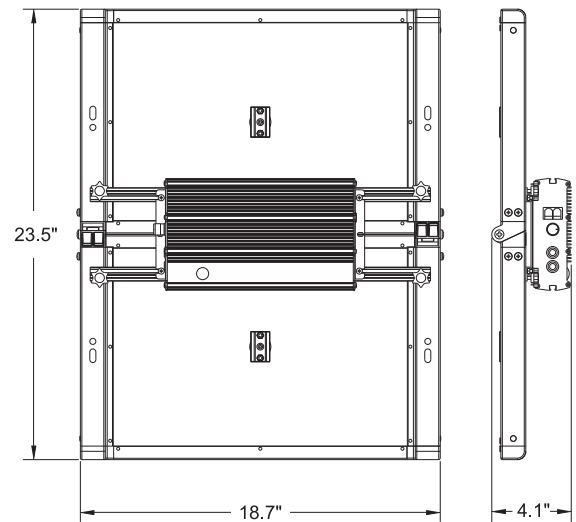
**Installation Instruction** Thank you for purchasing the GrowBright Neofold One LED Grow Light! Please read over these instructions before installation.

## FEATURES:

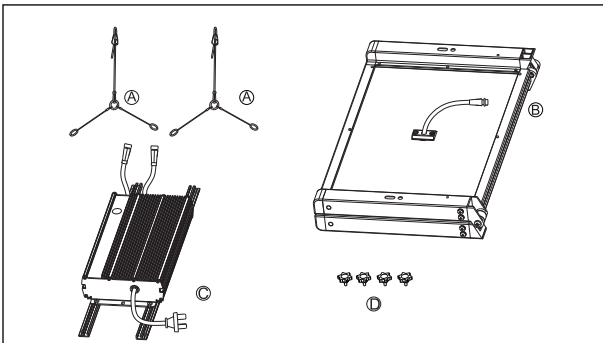
- Full-Spectrum white light output
- On-Board dimming knob
- Large coverage area in a compact form factor
- IP65 rated for dust and water protection
- Controller-compatible
- 3 Year Warranty

VOLTS	WATTS	OUTPUT
120-277V	480W	1300+ $\mu$ mol

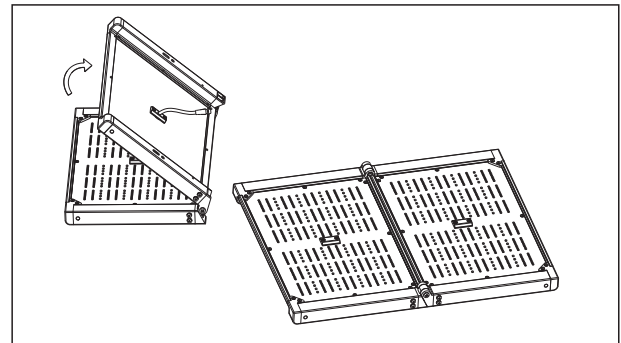
## DIMENSIONS:



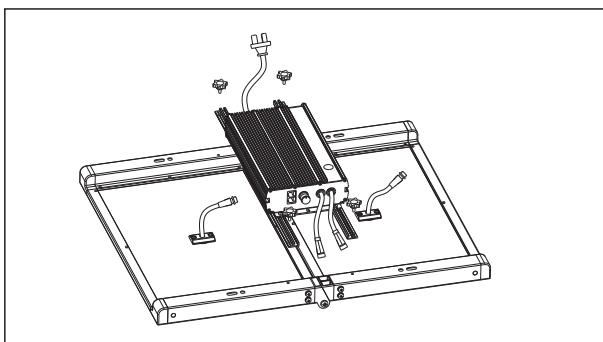
## INSTALLATION:



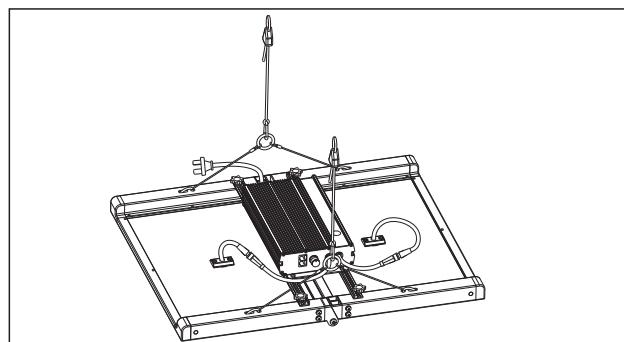
**Step 1: Confirm box contents:** A-hook and wire (two pairs)



**Step 2:** Open the folded LED fixture.



**Step 3:** Place the flattened fixture face-down and use the four thumb screws to attach the driver to the fixture.



**Step 4:** Connect the driver output wires to the back of the LED panels. Hang using included hardware and power the LED.

## WARNING:

- Avoid looking directly at illuminated LEDs.
- Allow time to cool after use before handling.
- Do not operate the fixture face down on a flat surface to avoid overheating.
- Allow adequate air circulation and ventilation to keep the fixture cool.
- Avoid touching the diodes even if powered off.
- Be careful when cleaning the LED fixture surface. Avoid scratching the diode array, avoid compromising silicone seals, and avoid removing diodes.